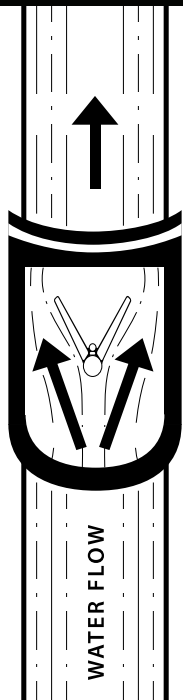
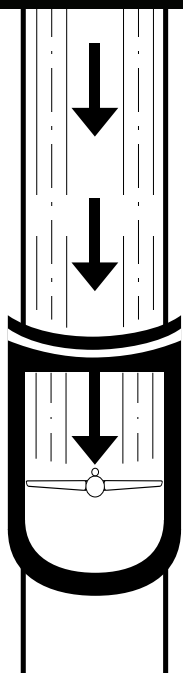


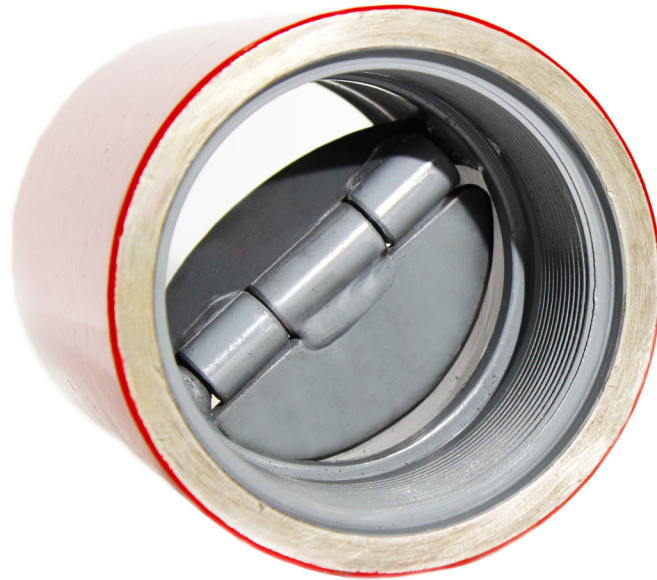
Back-Flow Control Valve



PUMP ON: Under normal operating conditions, water flow causes control flaps to open and remain open with minimal restriction of water.



PUMP SHUTS OFF: Control flaps fold down to totally eliminate powerful back surge from water remaining in the upper portion of column pipe.



Custom Pipe's Back-Flow Control Valve provides total protection from damaging back surges that occur when a pump shuts off. Easily installed, the Back-Flow Control Valve prevents unnecessary and costly repair bills by eliminating damage before it occurs. The Back-Flow Control Valve—made from durable, all-steel construction—is built for longevity in your well and at a cost you can afford.

Features

- Made from 100% steel
- Seamless coupling material
- Fully tested up to 1,000 lbs.
- Neoprene tube shock absorber for quiet operation
- Minimal restriction of water flow
- Manufactured with all NPT threads, 8V, 8RD or flanged

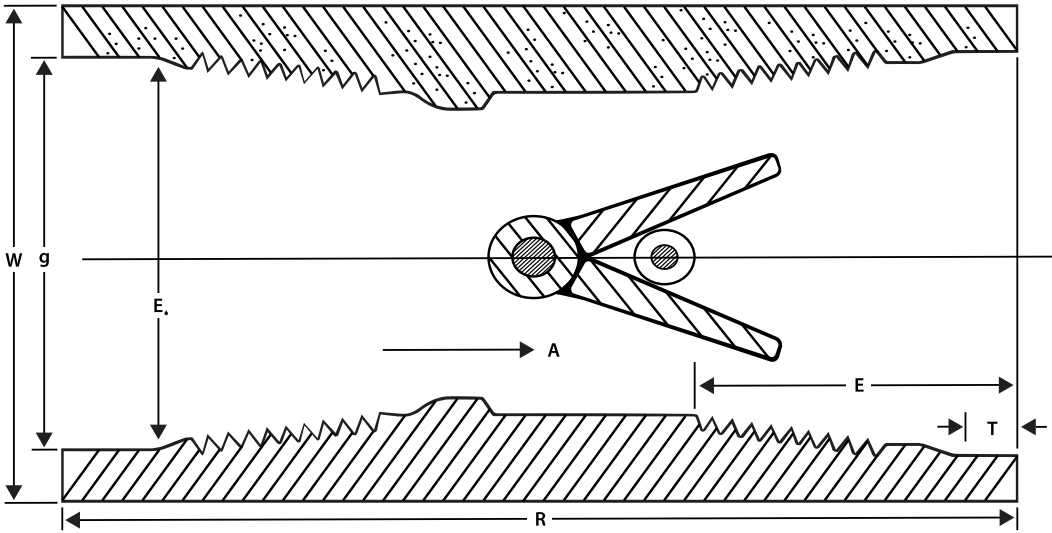
Variety of Well Uses:

- Deep Set Wells: Use (2) Back-Flow Control Valves. Install one at 100' or less above the pump and the second one at water level.
- Shaft-Driven Turbine Pumps: Install Back-Flow Control Valve at suction end.

Options:

- Available in sizes: 4", 5", 6", 8", 10", and 12"
- Special orders available upon request
- Also available in stainless steel

Back-Flow Control



Nominal Size	P.D. $a + E_1$	W (Valve O.D.)	E	R	Q	T	Weight (Lbs.)	A (Area Opening in Sq. In.)
4"	4.387	5.000	2.250	6 3/4	4.590	.490	11	10.31
5"	5.449	6.290	2.312	7 7/8	5.650	.500	19	14.88
6"	6.509	7.390	2.500	8 3/4	6.714	.586	34	23.74
8"	8.500	9.625	2.625	8 3/4	8.719	.676	49	40.16
10"	10.620	11.750	2.875	10 3/4	10.840	.739	80	64.80
12"	12.617	14.000	3.000	12	12.810	.780	97	95.00

Special sizes, materials, or threads available upon request

