

4

3

2

1

D

D

C

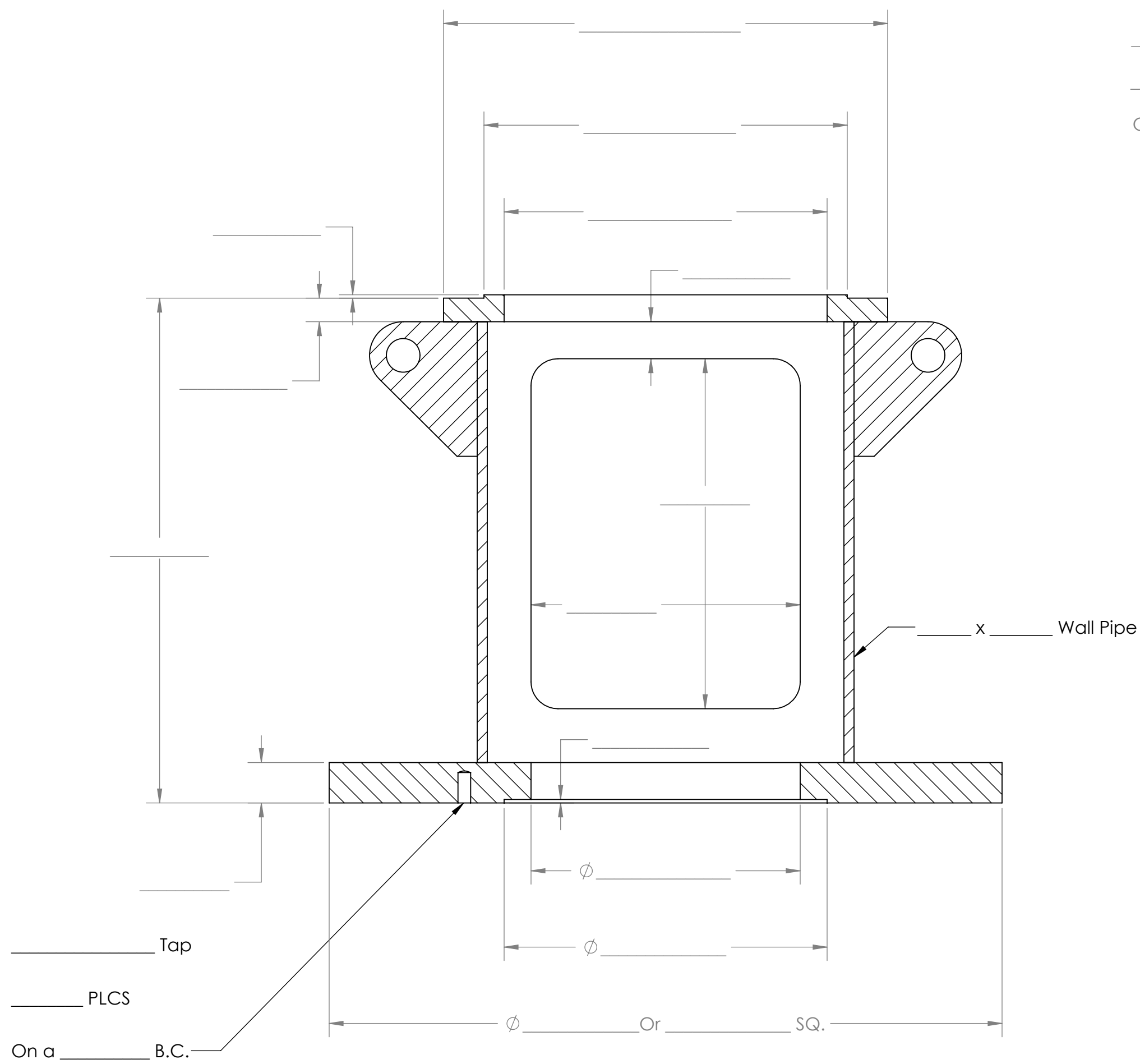
C

B

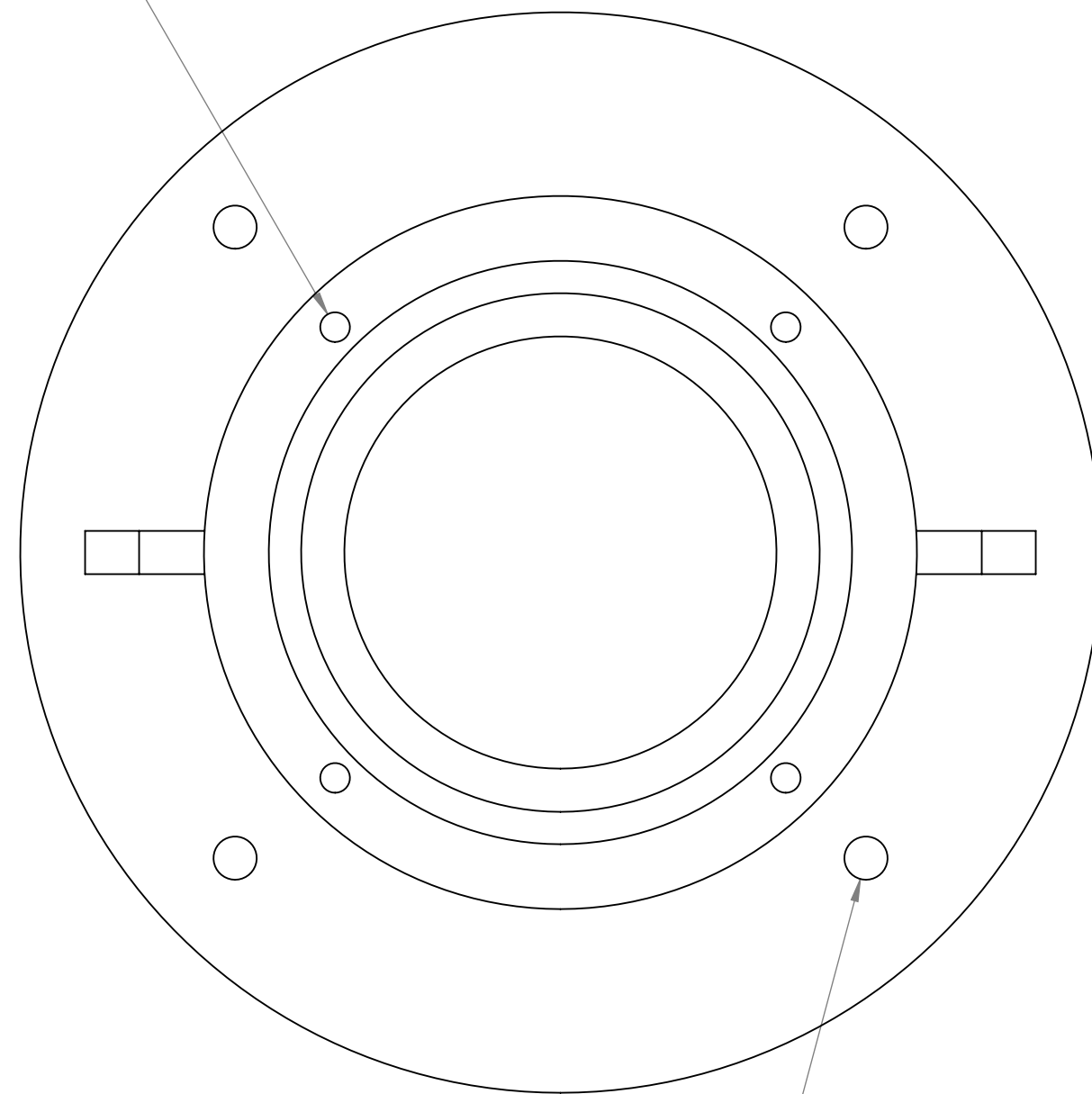
B

A

A



Tap  
PLCS Eq. Sp.  
On a B.C.



Drill  $\phi$  THRU  
PLCS  
On a B.C. or SQ.

**PROPRIETARY AND CONFIDENTIAL**  
Material procurement and production for the good identified in this purchase order will not be initiated until Purchaser's approval of the attached drawing, including dimensions and design by an authorized representative of Purchaser. The Purchaser acknowledges the Custom Pipe & Fabrication is not a licensed engineer and does not stamp or sign the drawings it prepares. This drawing is the proprietary property of Custom Pipe & Fabrication Inc. and may not be utilized by the Purchaser for any purposes other than for the approval of manufacture by Custom Pipe & Fabrication Inc.

UNLESS OTHERWISE SPECIFIED:		NAME	DATE	<p>TITLE: Motor Stand</p> <p>DWG. NO. _____ REV 1</p> <p>SCALE: 1:8 SHEET 1 OF 1</p>
DIMENSIONS ARE IN INCHES		DRAWN	T. Sanders	
TOLERANCES:		CHECKED		
ANGLES $\pm 1.5^\circ$		ENG APPR.		
X.X $\pm 0.060$		MFG APPR.		
X.XX $\pm 0.030$		Q.A.		
X.XXX $\pm 0.010$		COMMENTS:		
Parallel: .003	Concentric: .003			
MATERIAL				
FINISH				
DO NOT SCALE DRAWING				

4

3

2

1